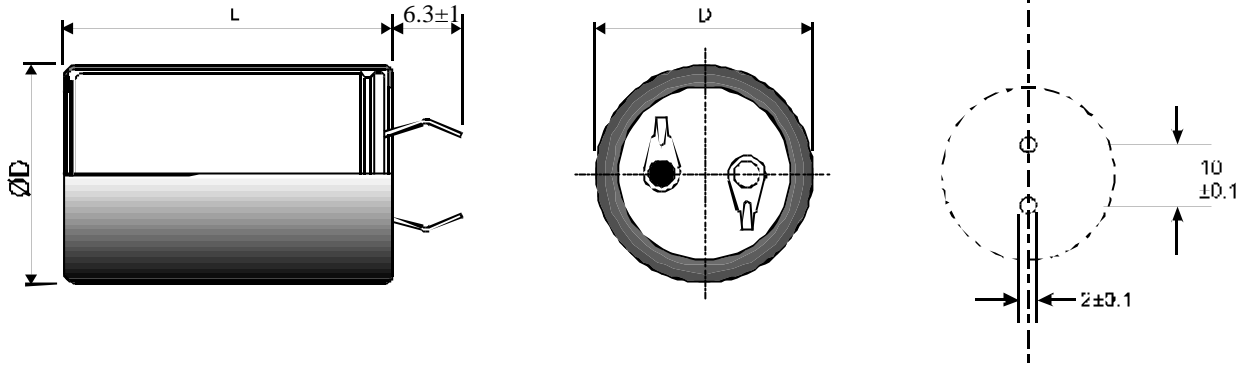


Part Number : ALC10S1103DH

Customer : DNM Design

Customer p/n :



Diameter (mm) 35 -0+1

Length (L or L2) (mm) 60 +/-2

Terminals 2 Pin Snap-in

Other Dimensions

Capacitance: 10000 uF

Lower Cap Tolerance: 20 %

Upper Cap Tolerance: 20 %

Working Voltage: 63 V DC

Surge Test Voltage: 72.5 V DC

ESR 62 m'Ohms MAX @ 100 HZ,20°C

IMPEDANCE 54 m'Ohms MAX @ 10 KHZ,20°C

DC LEAKAGE 3.78 mA max @ Test Volts

Test Voltage 63.0V DC

Rated ripple current 5.15 A rms at 100 Hz and 85 °C

Temperature range -40 °C to 85 °C

SLIT FOIL CAPACITOR

Approved _____ Date _____

Form : FM003.DES Iss : 2 Date : 10/08/93